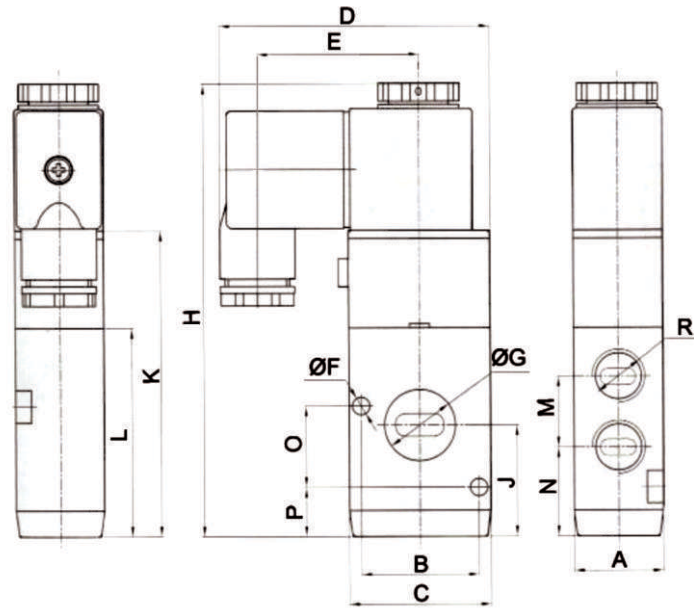
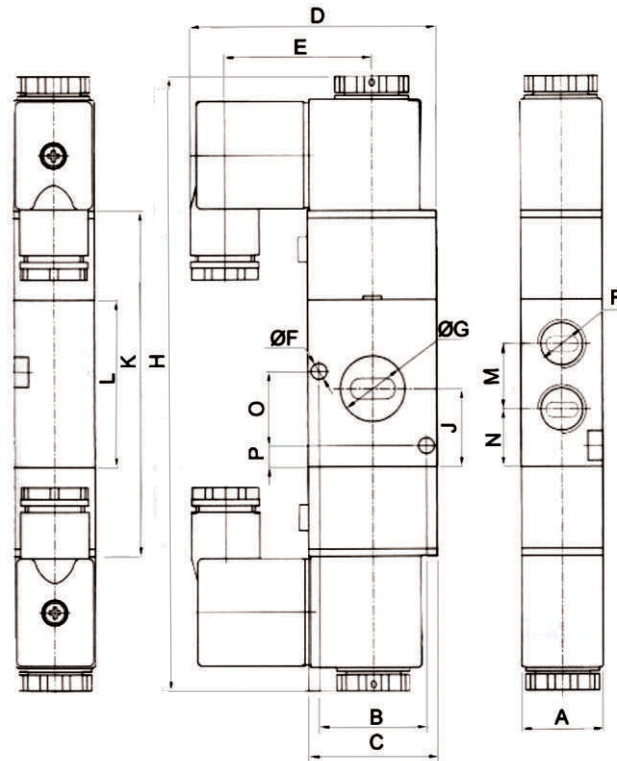


Dimensional - 3/2 vias - Simples Solenóide

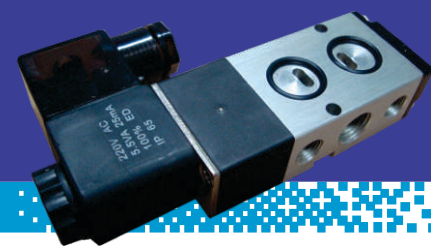


R	ØG	A	B	C	D	E	ØF	H	L	K	M	N	J	O	P
1/8"	13.6 x Prof. 1.5	18	22	27	54	32.5	3.3	92	44.5	65	14	19.5	26.5	14	12.5
1/4"	17.6 x Prof. 1.5	22	29	35	67.5	40.5	4.3	112	51.5	75.5	18	22	27.5	20	12
3/8"	19.5 x Prof. 1.5	27	32	40	70	40.5	5.2	130	67	93.5	21.5	26.8	37.5	24	14
1/2"	21.8 x Prof. 1.8	34	41	50	74.2	42.5	6	141	77.5	104.5	29.5	29.5	44.3	33	15

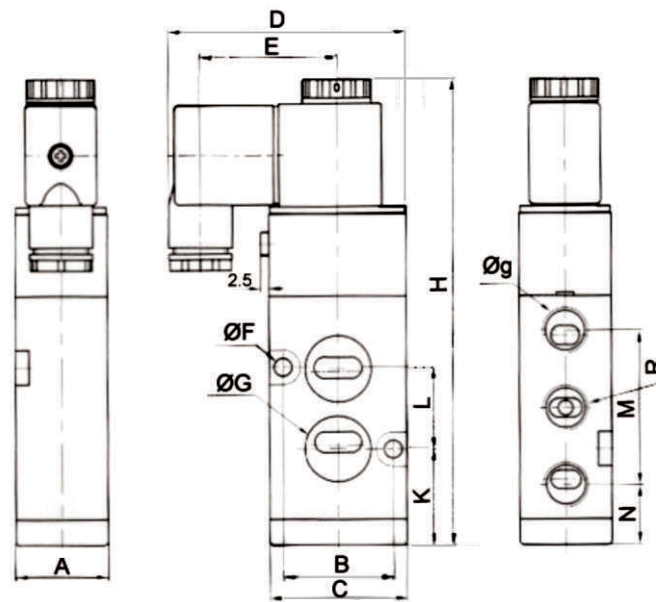
Dimensional - 3/2 vias - Duplo Solenóide



R	ØG	A	B	C	D	E	ØF	H	L	K	M	N	J	O	P
1/8"	13.6 x Prof. 1.5	18	22	27	54	32.5	3.3	133	38	79	14	12	19	14	4.3
1/4"	17.6 x Prof. 1.5	22	29	35	67.5	40.5	4.3	166	45	93	18	15.5	21	20	5.5
3/8"	19.5 x Prof. 1.5	27	32	40	70	40.5	5.2	185	60	112	21.5	19.3	30.5	24	6
1/2"	21.8 x Prof. 1.8	34	41	50	74.2	40.5	6	197	70	127	29.5	22	35	33	7.5

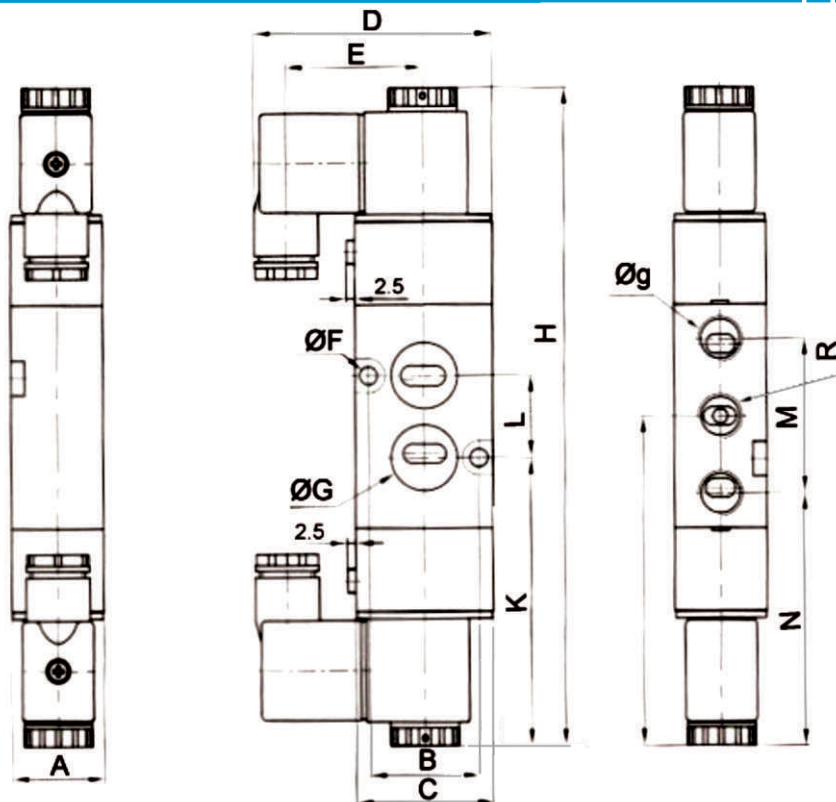


Dimensional - 5/2 vias - Simples Solenóide



R	ØG	Øg	A	B	C	D	E	ØF	H	L	K	M	N
R1/8"	13.6 x Prof. 1.5	1/8"	18	22	27	54	32.5	3.3	97	14	21	28	14
R1/4"	17.6 x Prof. 1.5	1/8"	22	29	35	67.5	40.5	4.3	117	20	21.5	35	14
R3/8"	19.5 x Prof. 1.5	1/4"	27	32	40	70	40.5	5.2	135	24	28	45	17.5
R1/2"	21.8 x Prof. 1.8	1/2"	34	41	50	75	40.5	6	165	63	23	36.5	36.3

Dimensional - 5/2 vias - Duplo Solenóide



R	ØG	Øg	A	B	C	D	E	ØF	H	L	K	M	N
R1/8"	13.6 x Prof. 1.5	1/8"	18	22	27	54	32.5	3.3	138	14	62	28	55
R1/4"	17.6 x Prof. 1.5	1/4"	22	29	35	67.5	40.5	4.3	171	20	75.5	35	68
R3/8"	19.5 x Prof. 1.5	1/4"	27	32	40	70	40.5	5.2	190	24	83	45	72.8
R1/2"	21.8 x Prof. 1.8	1/2"	34	41	50	75	40.5	6	221	33	94	36.5	92.3