



VTC 3031/3021 Series

- Max. vacuum level : -93 kPa (-27.46 inHg)
- Max. flow rate : 341 NI/min (12.04 scfm)
- Supply air pressure : 3 ~ 6 bar, max 7 bar
(43.5~87 psi, max 101.5 psi)
- Air consumption : 97~152 NI/min (3.43~5.37 scfm)
- Supply air type : Dry compressed air
- Working temperature : -20°C to +80°C
- Noise level : 50~60 dBA



Main advantages

- Patented design.
- High operational reliability despite fluctuating or low compressed-air pressure.
- Integrated high dirt holding capacity pleated filter.
- VMECA Twofold Silencer^{PT} assures low noise levels.
- Optional Air-Saving(AS) kit available to minimize energy consumption.
- Optional factory installed Air control/Vacuum release valves and Vacuum switch available.
- Compact size and light weight.
- Easily mountable and interchangeable vacuum cartridge.

Order No.

VTC 3031 - 2 - AS - A3 R3 - CL - S2 N V

① ② ③ ④ ⑤ ⑥ ⑦ ⑧ ⑨

① Model

VTC 3021 - Two stage nozzle

- **VTC 3031(P)** - Three stage nozzle

※ Remark...(P)

└─ G3/8"Exhaust Port

② Filter element & Connection port

Material	Connection port
• 2 Polyester (PE)	BSP Thread(G)

③ Air saving kit (108)

No mark - Standard

- **AS** - Air saving kit

④ Voltage of air supply control valve

A1 - AC110V

A2 - AC220V

- **A3** - DC24V

D1* - AC110V

D2* - AC220V

D3* - DC24V

* D. : Double solenoid valve is available only with 'DN' or 'DL', section ⑥

⑤ Voltage of vacuum release control valve

R1 - AC110V

R2 - AC220V

- **R3** - DC24V

⑥ Solenoid Terminal

DN - DIN type without lead wire

DL - DIN type with lamp without lead wire

- **CL*** - Connector type with lamp & 0.3 m lead wire

2B* - DIN type with '2 in 1' BUS cable
(Air control v/v + Vacuum release v/v)

3B* - DIN type with '3 in 1' BUS cable
(Air control v/v + Vacuum release v/v + Digital switch)

* Can not available with double solenoid valve

※ Remark

CL : Available only with DC24V

3B : Available only with DC24V

Available only with 'S2' or 'S2P', section ⑦

☞ About 'BUS cable' (340, 341)

⑦ Vacuum switch

No mark - Vacuum gauge.

- **S2(P)** - Digital display output 2points, No analog supply M8-4Pin Connector type 0.3m lead wire.

SG2(P) - Digital display output 2 points, No analog supply Grommet type 4-Core 2m lead wire.

SG3(P) - Digital display output 2 points, Analog supply Grommet type 5-Core 2m lead wire.

※ Remark: ① S..(P)

└─ Output type :PNP open collector

② VCM8 42 : M8-4Pin connector wire.
Only for type S2 or S2(P).

⑧ Non-return valve

No mark - Standard

- **N** - Non-return valve.

⑨ Sealing

No mark - Standard

- **V** - Viton[®]

E - EPDM

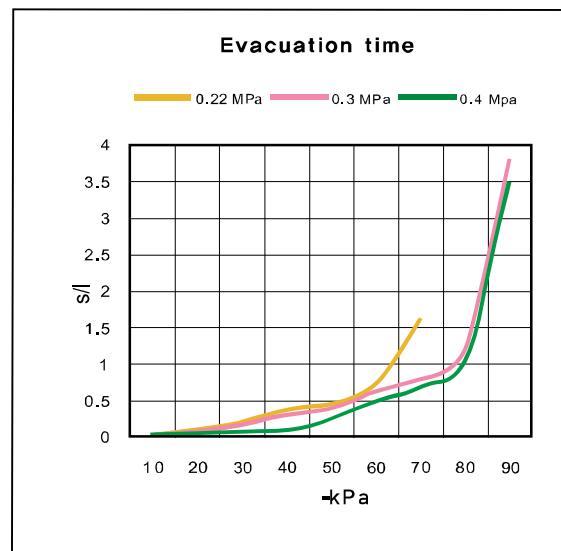
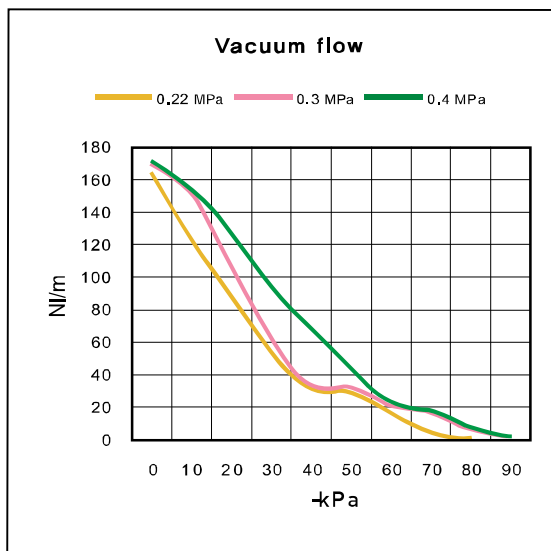


Performance Data

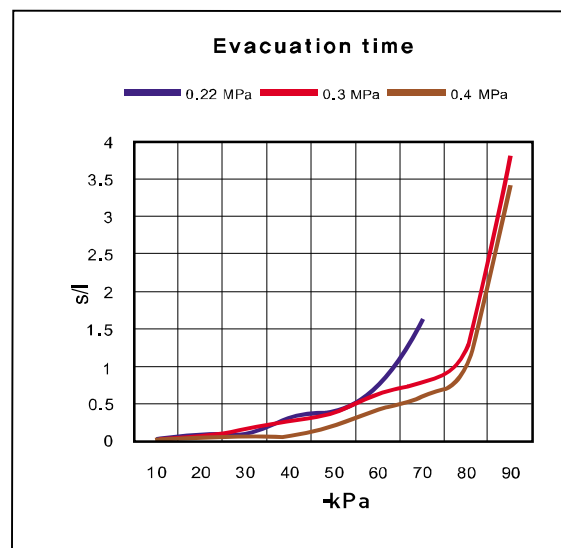
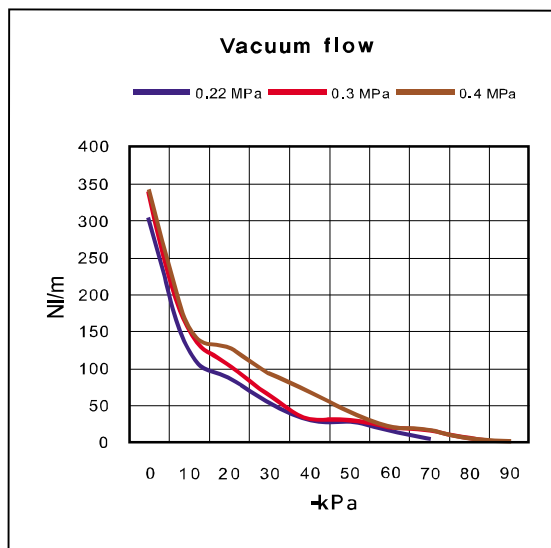
Model	MAX. Vacuum (-kPa)	Feed pressure (MPa)	Vacuum flow (NI/min) at different vacuum level -kPa(-mmHg)									
			0 (0)	10 (75)	20 (150)	30 (225)	40 (300)	50 (375)	60 (450)	70 (525)	80 (600)	90 (675)
VTC3021..	75	0.22	164	122.5	88	53	31.4	28.5	16.5	4.6	-	-
	93	0.3	170	152	106	64	33	32	22	16.5	6.4	1.9
	93	0.4	171	154	127.5	94	69	43	23.3	17.3	6.9	2.1
VTC3031..	75	0.22	302	122.5	88	53	31.4	28.5	16.5	4.6	-	-
	93	0.3	338	152	106	64	33	32	22	16.5	6.4	1.9
	93	0.4	341	154	127.5	94	69	43	23.3	17.3	6.9	2.1

Model	Feed pressure (MPa)	Air consumption (NI/min)	Time, s/l, to evacuate a volume to different vacuum level -kPa (-mmHg)								
			10 (75)	20 (150)	30 (225)	40 (300)	50 (375)	60 (450)	70 (525)	80 (600)	90 (675)
VTC3021..	0.22	97	0.03	0.12	0.21	0.38	0.47	0.73	1.62	-	-
	0.3	118	0.027	0.1	0.19	0.3	0.4	0.64	0.8	1.2	3.8
	0.4	152	0.026	0.058	0.09	0.1	0.25	0.5	0.69	1.05	3.5
VTC3031..	0.22	97	0.019	0.09	0.1	0.32	0.42	0.73	1.62	-	-
	0.3	118	0.015	0.07	0.18	0.28	0.38	0.64	0.8	1.2	3.8
	0.4	152	0.01	0.048	0.07	0.09	0.2	0.42	0.6	1	3.4

▼ VTC-3021..



▼ VTC-3031..



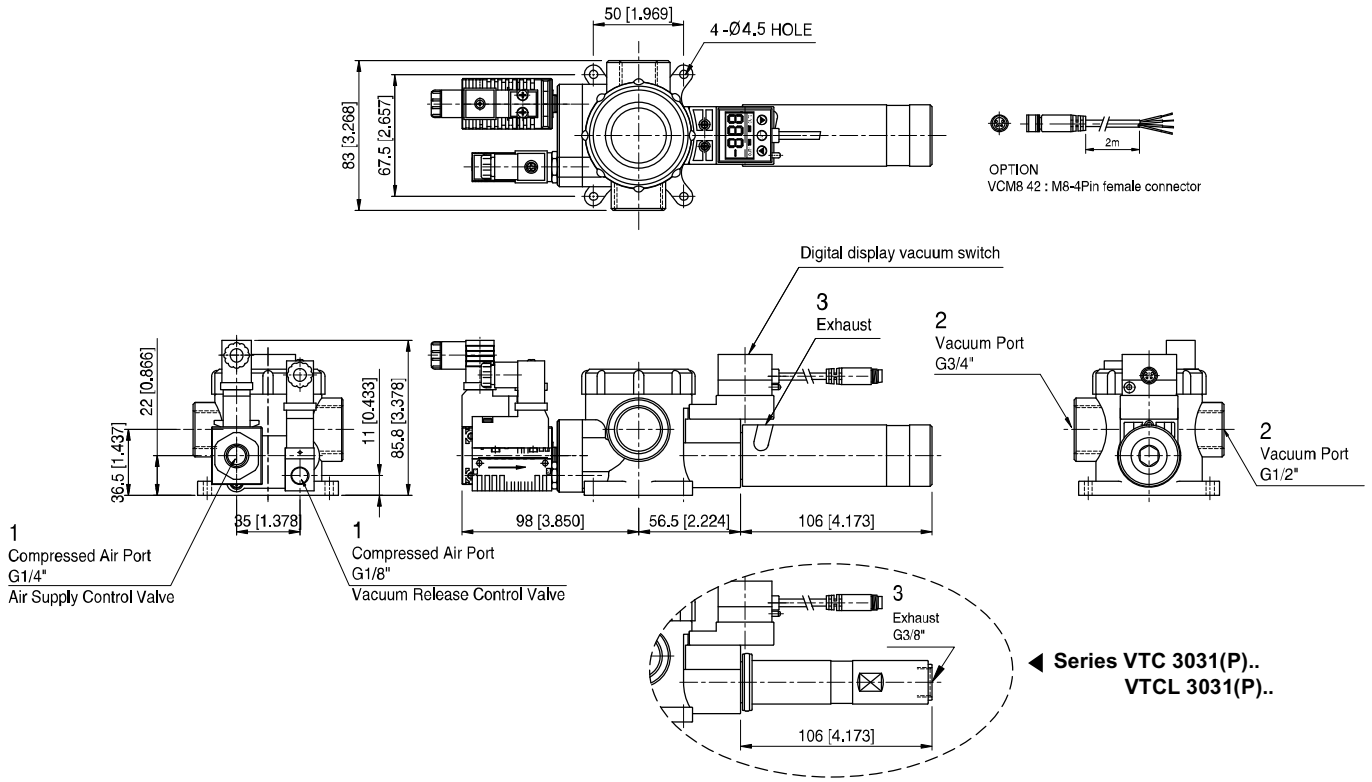
VACUUM PUMPS



Dimensional Information

With Air Control valve, Vacuum Release Control valve and Digital Vacuum Switch

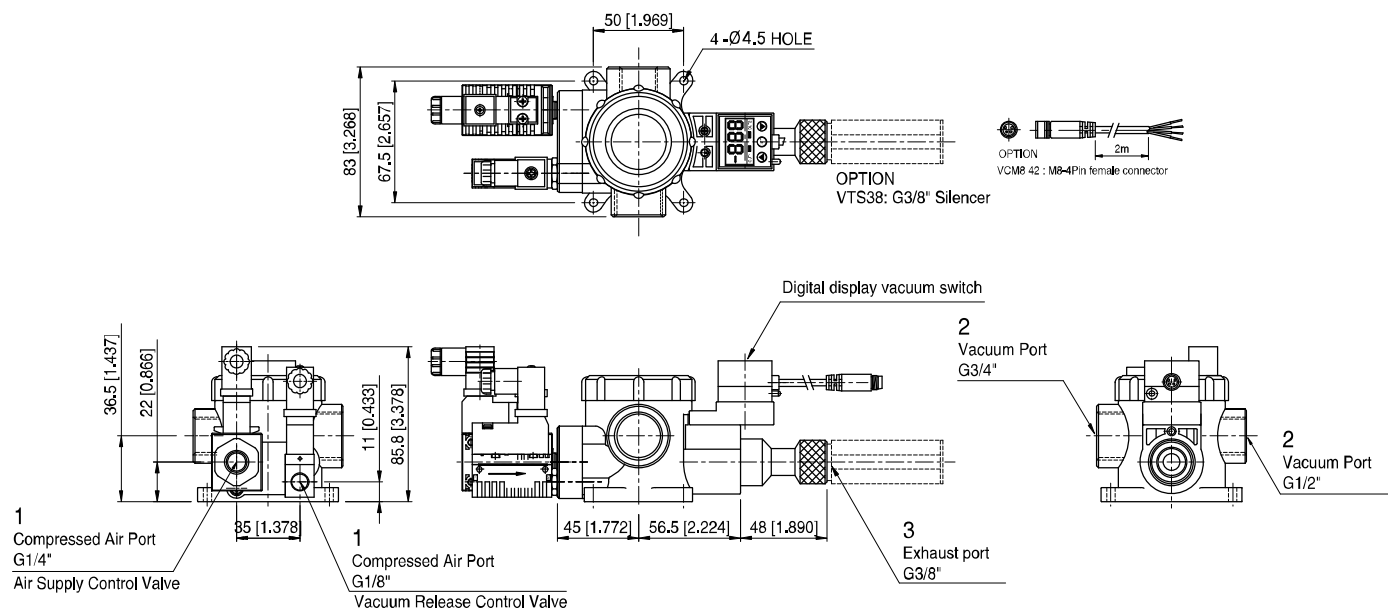
Series VTC 3031.. / VTCL 3031..



Measure unit : mm [in]

With Air Control valve, Vacuum Release Control valve and Digital Vacuum Switch

Series VTC 3021.. / VTCL 3021..

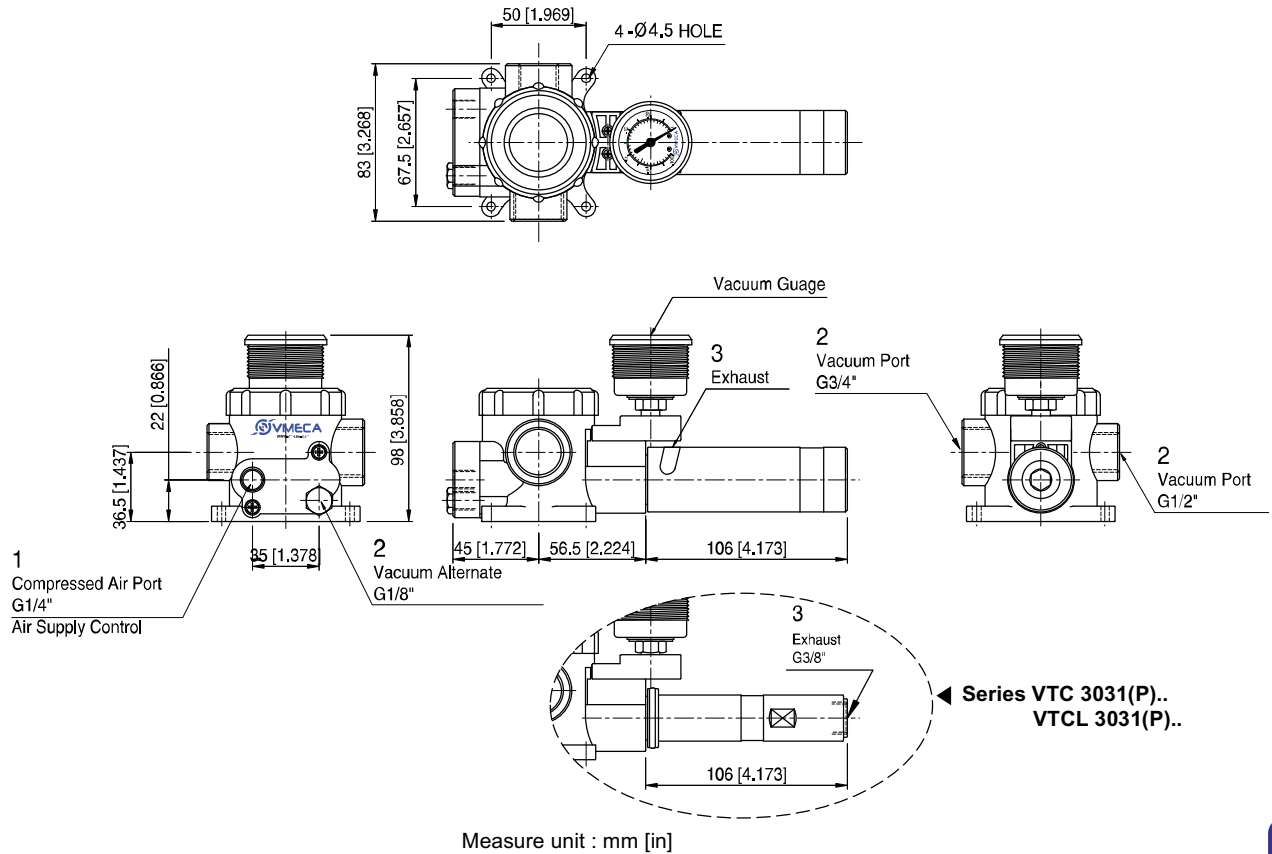


Measure unit : mm [in]

Dimensional Information

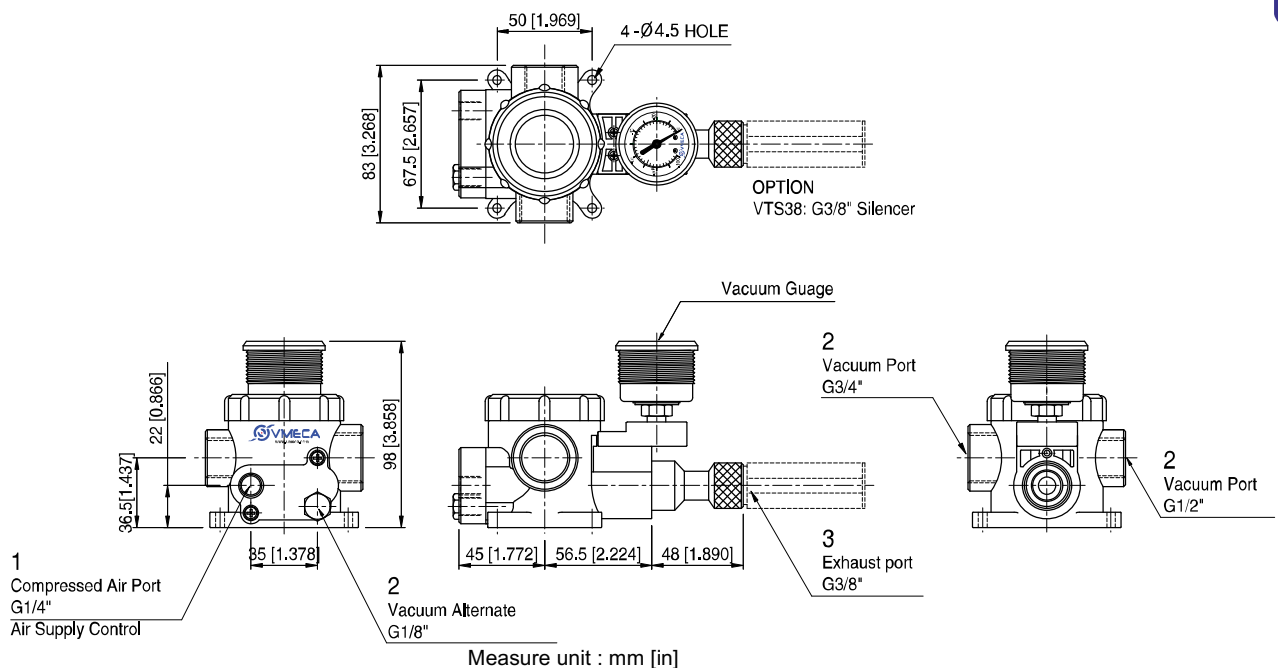
Standard

Series VTC 3031.. / VTCL 3031..



Standard

Series VTC 3021.. / VTCL 3021..



VACUUM PUMPS